

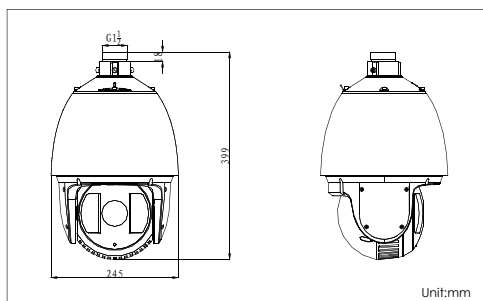
# 1.3MP IR Network High Speed Dome



## Key features

- 1/3" Progressive Scan CMOS
- 20X Optical Zoom (4.3-86.0mm)
- True Day/Night, 3D DNR
- 25fps(P)/ 30fps(N) at 1280x960 resolution
- H.264/MJPEG, Dual Streaming, Privacy Masking
- 120m IR Distance
- Weather-proof: IP66 rating

## Dimensions



## Accessories



(Long-arm Wall Mount Bracket)



Wall Mount



Pendant Mount

HDS-PT7274IR-A	
<b>Camera</b>	
Image Sensor	1/3" Progressive Scan CMOS
Effective Pixel	1300K pixels
Min. Illumination	Color: 0.05Lux@( F1.4, AGC ON), B/W: 0.005Lux@( F1.4, AGC ON), 0 Lux with IR
White Balance	Auto / Manual / ATW/Indoor/Outdoor/Daylight lamp/Sodium lamp
AGC	Auto / Manual
S / N Ratio	≥ 50dB
3D DNR	Off / normal
BLC	On / Off
Shutter Time	50Hz: 1/25-1/10,000s, 60Hz: 1/30-1/10,000s
Day & Night	IR Cut Filter
Digital Zoom	16x
Privacy Masking	24 privacy masks programmable; a maximum of 8 zones can be masked simultaneously on the same video screen
Focus Mode	Auto / Semiautomatic / Manual
<b>Lens</b>	
Focal Length	4.3-86.0mm, 20x
Zoom Speed	Approx.5s(Optical Wide-Tele)
Angle of View	54.1-3.2 degree (Wide-Tele)
Min. Working Distance	10-1.500mm(Wide-Tele)
Aperture Range	F1.4- F2.6
<b>Pan and Tilt</b>	
Pan Range	360° endless
Pan Speed	Pan Manual Speed: 0.1°-160°/s, Pan Preset Speed: 160°/s
Tilt Range	-2°-90° (Auto Flip)
Tilt Speed	Tilt Manual Speed: 0.1°-120°/s, Tilt Preset Speed: 120°/s
Proportional Zoom	Rotation speed can be adjusted automatically according to zoom multiples
Number of Preset	256
Patrol	8 patrols, up to 32 presets per patrol
Pattern	4 patterns, with the recording time not less than 10 minutes per pattern
Power-off Memory	Support
Park Action	Preset / Patrol / Pattern / Pan scan / Tilt scan / Random scan / Frame scan / Panorama scan
PTZ Position Display	On / Off
Preset Freezing	Support
<b>Infrared</b>	
IR Distance	120m
IR Intensity	Automatically adjusted, depending on the zoom ratio
<b>Alarm</b>	
Alarm Input	7
Alarm Output	2 relay outputs, alarm response actions configurable
Alarm Action	Preset, Patrol, Pattern, SD/SDHC card recording, Relay output, Notification on Client
<b>Input/ Output</b>	
Monitor Output	1.0V[p-p] / 75Ω, NTSC (or PAL) composite, BNC
Audio Input	Audio input (LINE input), 2-2.4V[p-p]; output impedance: 1KΩ, ±10%
Audio Output	Line level, impedance: 600Ω
<b>Network</b>	
Ethernet	10Base-T / 100Base-TX, RJ45 connector
Max. Image Resolution	1280×960
Frame Rate	50Hz:25fps(1280×960), 25fps (1280×720) 60Hz:30fps(1280×960), 30fps (1280×720)
Image Compression	H.264/MJPEG/MPEG4
Audio Compression	G.711ulaw/G.711alaw/G.726
Protocols	IPv4,HTTP,HTTPS,802.1x,Qos,FTP,SMTP,UPnP,SNMP,DNS,DDNS,NTP,RTSP,RTP,TCP,UDP,IGMP,ICMP,DHCP,PPPoE
Number of Simultaneous Live View	Up to 10
Dual Streams	Support
Mini SD Memory Card	Manual REC / Alarm REC. Built-in SD/SDHC Slot, up to 32GB
User/Host Level	Up to 32 users,3 Levels: Administrator, Camera control, Live view only
Security Measures	User authentication (ID and PW), Host authentication (MAC address)
<b>System Integration</b>	
Interface for application programming	Open-ended API, support Onvif, PSIA and CGI
<b>Client GUI</b>	
Camera Control	Pan / Tilt, Zoom, Focus, Click centering, Drag zoom, Iris, Preset position call and program, Auto mode.
Camera Name	Up to 32 characters
Date & Time Display	Time: Week: Date, 6 formats on the Client
Reading Patrol Message	Display and reading of preset message contained in each patrol via client software
<b>General</b>	
Menu Language	English
RS-485 Protocols	Pelco-P, Pelco-D, self-adaptive
Power	24VAC, Max. 50W(IR LED On),Max. 35W(IR LED Off)
Working Temperature / Humidity	-30 °C ~65°C (-22 °F ~149 °F )(outdoor) 90% or less
Protection Level	IP66 standard (outdoor dome) TVS 4,000V lightning protection, surge protection and voltage transient protection
Mounting	Various mounting modes optional
Dimensions	Φ245×399mm (Φ9.65"×15.71")(Outdoor)
Weight (approx.)	5.5kg(12.13lbs)
Mount Option	Long-arm wall mount: DS-1614ZJ; Corner mount: DS-1633ZJ; Pole Mount: DS-1622ZJ; Power box mount:DS-1634ZJ